

1 2 3 4 5 6 7 8

A

B

C

D

E

F

A

B

C

D

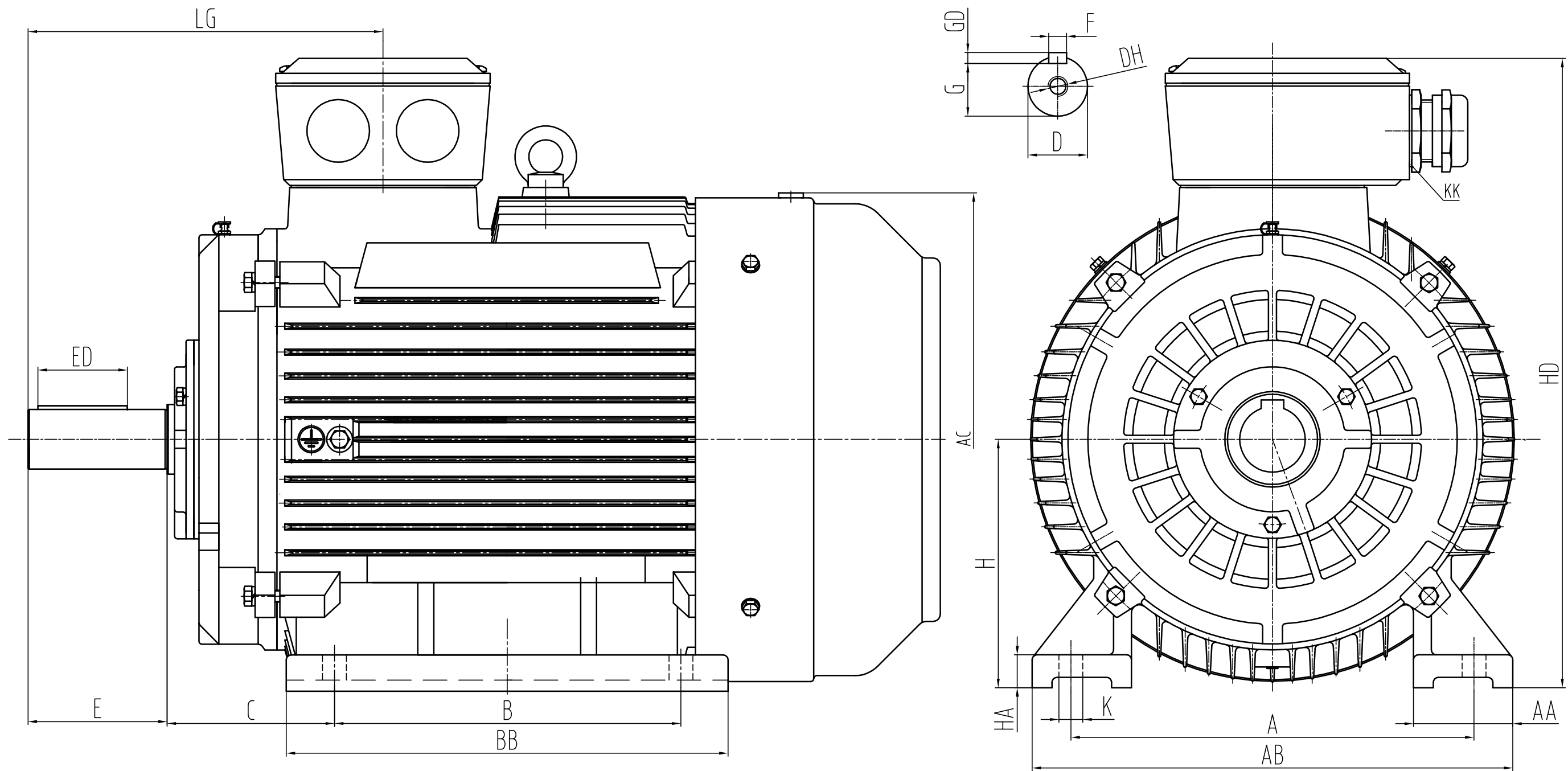
E

F

G

H

42



OUTLINE DIMENSIONS FOOT MOUNTED MOTOR

A	AA	AB	AC	HD	B	BB	C	D	E	ED	F	G	GD	H	HA	K	KK	L	LG	DH
406	100	490	520	635	349	450	168	65(4-8P)	140	100	18	58(4-8P)	11	250	33	24	M63X15	925	357	M20X42

Type: DM3
Frame: 250 4-8P

Casing material: Cast iron
Mounting: B3

1 2 3 4 5 6 7 8